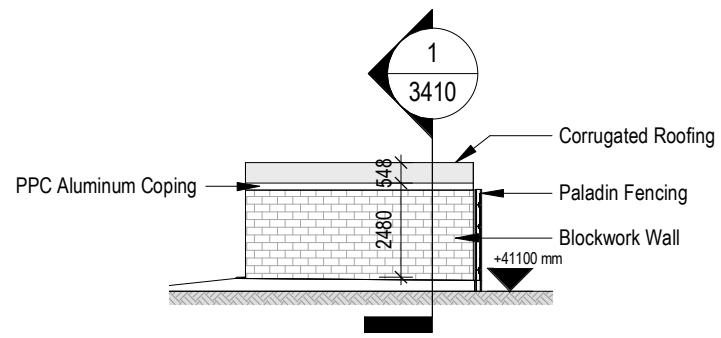
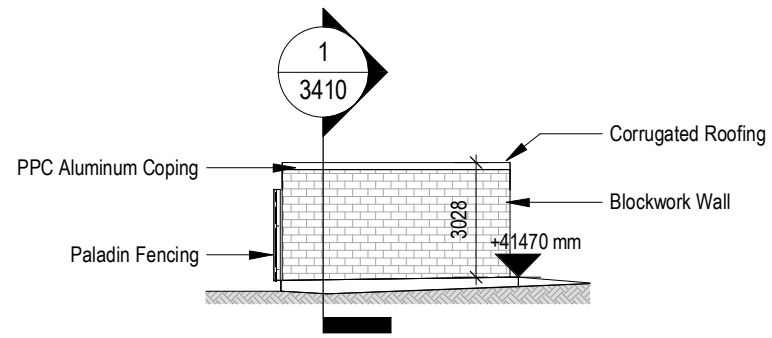


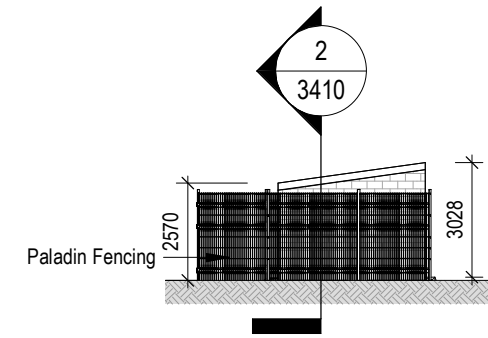
1 Existing Shed 4 East Elevation
4410 Scale: 1 : 200



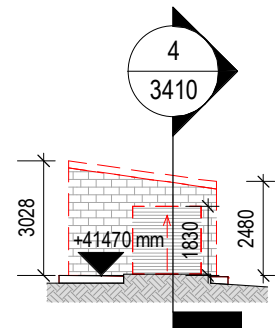
2 Existing Shed 4 North Elevation
4410 Scale: 1 : 200



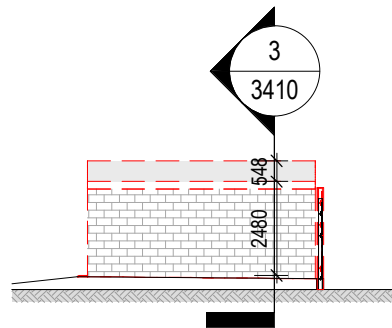
3 Existing Shed 4 South Elevation
4410 Scale: 1 : 200



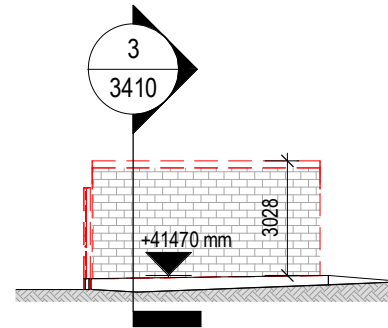
4 Existing Shed 4 West Elevation
4410 Scale: 1 : 200



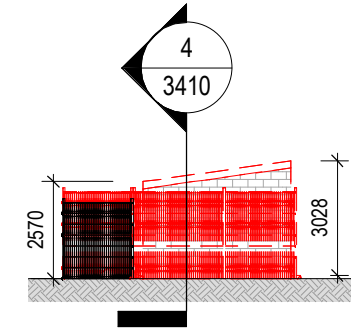
5 Shed 4 Demolition East Elevation
4410 Scale: 1 : 200



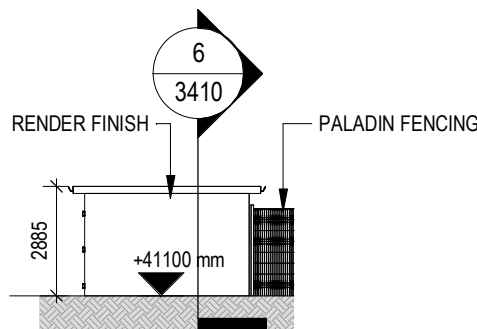
6 Shed 4 Demolition North Elevation
4410 Scale: 1 : 200



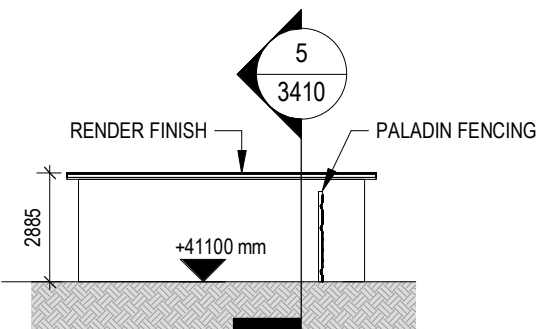
7 Shed 4 Demolition South Elevation
4410 Scale: 1 : 200



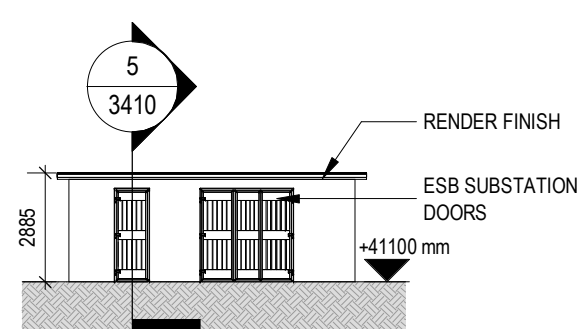
8 Shed 4 Demolition West Elevation
4410 Scale: 1 : 200



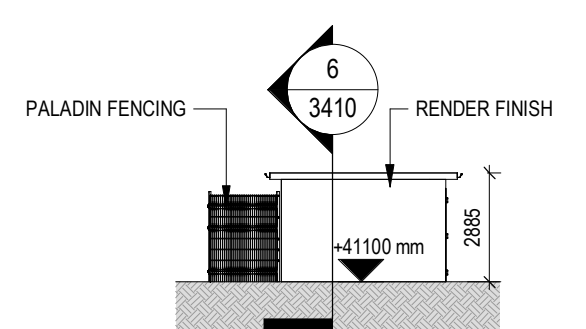
9 Proposed Substation East Elevation
4410 Scale: 1 : 200



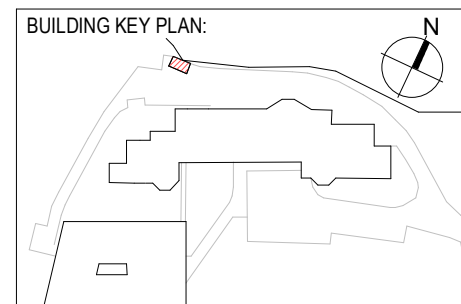
10 Proposed Substation North Elevation
4410 Scale: 1 : 200



11 Proposed Substation South Elevation
4410 Scale: 1 : 200



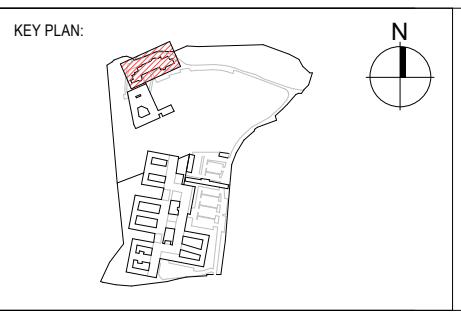
12 Proposed Substation West Elevation
4410 Scale: 1 : 200



COPYRIGHT:
The design and details shown on this drawing are applicable to The Named Project only and may not be; reproduced, modified or relayed in whole or part or be used for any other project or purpose without the prior written permission of TOT Architects with whom copyright resides.

DO NOT SCALE this drawing. Use figured dimensions only. The Contractor is responsible for checking all levels and dimensions on site prior to commencement of works. Any discrepancies are to be referred to the ARCHITECT.

Drawings to be read in conjunction with all other Consultants Drawings & Specifications were relevant. Proprietary items shall be fixed in strict accordance with the Manufacturer's Instructions. Sizes of proprietary items shall be checked with Manufacturer.



REVISIONS:

DATE	REV	DESCRIPTION
17/04/26	0	ISSUED FOR PLANNING

TOT ARCHITECTS

REGISTERED OFFICE
49 Upper Mount Street
Dublin 2, D02 FR85, Ireland

T +553 1 705 7800
W www.totarch.ie
E info@totarch.ie

CLIENT:	SPUH
PROJECT:	St Edmundsbury Hospital Lucan
PROJECT STAGE :	PLANNING
DRAWING TITLE:	Existing/Proposed Substation Elevations

DRAWN:	JME	CHECKED:	LC	APPROVED:	DS	DATE:	17/04/2026
JOB NUMBER:	20-77	SHEET SIZE:	A3 L	SCALE:	1 : 200		
INFORMATION CONTAINER IDENTIFICATION:				SPMHS - HB - ZZZ - DR - TOT - AR - 4410			
ACCEPTANCE CODE:	S	PURPOSE CODE:	P3	REVISION:	0		